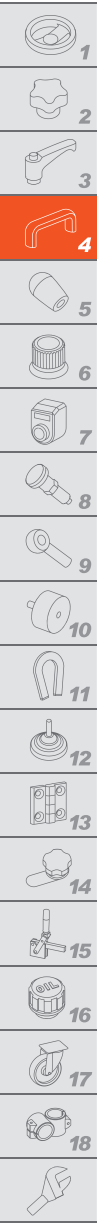


M.1053 | Offset tubular handles

Technopolymer and aluminium



HANDLE SHANKS

Glass-fibre reinforced polyamide based (PA) technopolymer, matte finish.

To prevent tube rotation, screw up to the stop the self-tapping screw $\varnothing 3,9 \times 6,5$ arranged inside the handle shank.

CLOSING CAPS

- ECS.T: polyamide based (PA) technopolymer, in the colours specified in the standard executions, matte finish, press-fit assembly (Fig.1). Supplied, removable by a screwdriver.

Available also as accessory sold separately (see table).

MOUNTING

Pass-through hole for front or rear mounting by means of cylindrical-head screws with hexagon socket, hexagonal-head screws or standard nuts.

STANDARD EXECUTIONS

- **M.1053-EP:** aluminium tube, epoxy resin coating, metallflake graphite colour, matte finish. Highly resistant to wear, scratches and chemical agents. Avoid continuous and prolonged contact with boiling water or steam. Handle shanks and closing caps in RAL 9005 (C9) black colour.
- **M.1053-AN-BK:** anodised aluminium tube, natural colour, handle shanks and closing caps in RAL 9005 (C9) black colour.
- **M.1053-AN-GR:** anodised aluminium tube, natural colour, handle shanks and closing caps in RAL 7031 (C31) grey colour.
- **M.1053-CLEAN:** aluminium tube, coating in white colour similar to RAL 9002, handle shanks and closing caps in white colour similar to RAL 9002 (CLEAN).

TECHNICAL DATA

Tensile stress: F values reported in the table are the result of breaking tests carried out with the appropriate dynamometric equipment under the test conditions shown in the figure with ambient temperature.

SPECIAL EXECUTIONS ON REQUEST

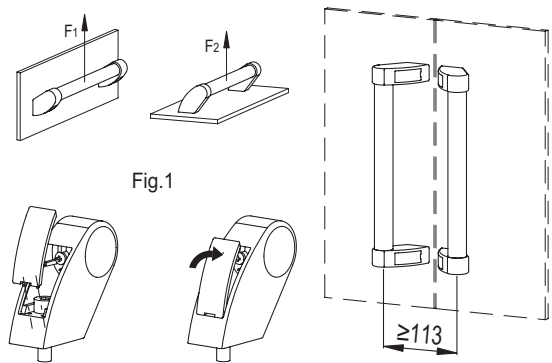
- Different lengths.

ACCESSORIES ON REQUEST

- ESC.T: polyamide based (PA) technopolymer closing caps, RAL 9005 black colour (C9), RAL 7031 grey (C31) RAL 9002 white, matte finish, press-fit assembly (see table). For sufficient quantities, it can be supplied in other colours.

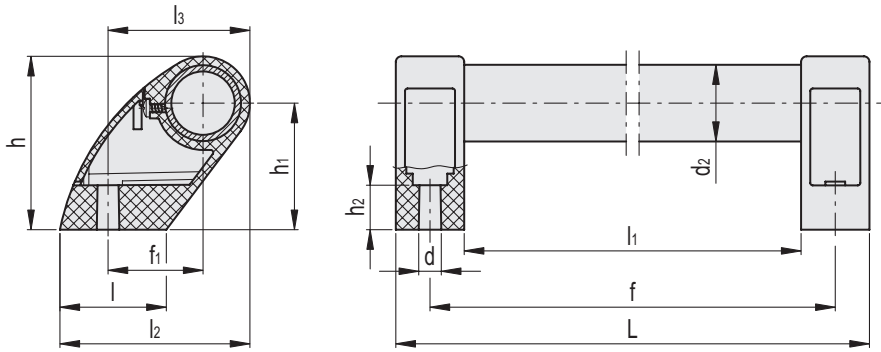


ELESA Original design



ECS.T

Code	Description
29882-C9	ECS.T2-C9
29882-C31	ECS.T2-C31
29882	ECS.T2-CLEAN



M.1053-EP

Code	Description	d2	fz1	f1	L	d	h	h1	h2	l	l1	l2	l3	F1 [N]*	F1 [N]#	F2 [N]*	F2 [N]#	⚖️
36801	M.1053/30-300-EP	30	300	37.5	327	8.5	68.5	50	17.5	42	273	75	56	1850	3400	2500	4000	231
36811	M.1053/30-350-EP	30	350	37.5	377	8.5	68.5	50	17.5	42	323	75	56	1650	3150	2000	3300	249
36821	M.1053/30-400-EP	30	400	37.5	427	8.5	68.5	50	17.5	42	373	75	56	1450	2600	1900	3000	266
36831	M.1053/30-500-EP	30	500	37.5	527	8.5	68.5	50	17.5	42	473	75	56	1300	2000	1500	1900	301
36841	M.1053/30-600-EP	30	600	37.5	627	8.5	68.5	50	17.5	42	573	75	56	1100	1900	1200	1800	336
36851	M.1053/30-700-EP	30	700	37.5	727	8.5	68.5	50	17.5	42	673	75	56	1000	1600	1100	1500	371

M.1053-AN-BK

Code	Description	d2	fz1	f1	L	d	h	h1	h2	l	l1	l2	l3	F1 [N]*	F1 [N]#	F2 [N]*	F2 [N]#	⚖️
36803	M.1053/30-300-AN-BK	30	300	37.5	327	8.5	68.5	50	17.5	42	273	75	56	1850	3400	2500	4000	231
36813	M.1053/30-350-AN-BK	30	350	37.5	377	8.5	68.5	50	17.5	42	323	75	56	1650	3150	2000	3300	249
36823	M.1053/30-400-AN-BK	30	400	37.5	427	8.5	68.5	50	17.5	42	373	75	56	1450	2600	1900	3000	266
36833	M.1053/30-500-AN-BK	30	500	37.5	527	8.5	68.5	50	17.5	42	473	75	56	1300	2000	1500	1900	301
36843	M.1053/30-600-AN-BK	30	600	37.5	627	8.5	68.5	50	17.5	42	573	75	56	1100	1900	1200	1800	336
36853	M.1053/30-700-AN-BK	30	700	37.5	727	8.5	68.5	50	17.5	42	673	75	56	1000	1600	1100	1500	371

M.1053-AN-GR

Code	Description	d2	fz1	f1	L	d	h	h1	h2	l	l1	l2	l3	F1 [N]*	F1 [N]#	F2 [N]*	F2 [N]#	⚖️
36805	M.1053/30-300-AN-GR	30	300	37.5	327	8.5	68.5	50	17.5	42	273	75	56	1850	3400	2500	4000	231
36815	M.1053/30-350-AN-GR	30	350	37.5	377	8.5	68.5	50	17.5	42	323	75	56	1650	3150	2000	3300	249
36825	M.1053/30-400-AN-GR	30	400	37.5	427	8.5	68.5	50	17.5	42	373	75	56	1450	2600	1900	3000	266
36835	M.1053/30-500-AN-GR	30	500	37.5	527	8.5	68.5	50	17.5	42	473	75	56	1300	2000	1500	1900	301
36845	M.1053/30-600-AN-GR	30	600	37.5	627	8.5	68.5	50	17.5	42	573	75	56	1100	1900	1200	1800	336
36855	M.1053/30-700-AN-GR	30	700	37.5	727	8.5	68.5	50	17.5	42	673	75	56	1000	1600	1100	1500	371

M.1053-CLEAN

Code	Description	d2	fz1	f1	L	d	h	h1	h2	l	l1	l2	l3	F1 [N]*	F1 [N]#	F2 [N]*	F2 [N]#	⚖️
151461	M.1053/30-300-CLEAN	30	300	37.5	327	8.5	68.5	50	17.5	42	273	75	56	1850	3400	2500	4000	231
151463	M.1053/30-350-CLEAN	30	350	37.5	377	8.5	68.5	50	17.5	42	323	75	56	1650	3150	2000	3300	249
151465	M.1053/30-400-CLEAN	30	400	37.5	427	8.5	68.5	50	17.5	42	373	75	56	1450	2600	1900	3000	266
151467	M.1053/30-500-CLEAN	30	500	37.5	527	8.5	68.5	50	17.5	42	473	75	56	1300	2000	1500	1900	301
151469	M.1053/30-600-CLEAN	30	600	37.5	627	8.5	68.5	50	17.5	42	573	75	56	1100	1900	1200	1800	336
151471	M.1053/30-700-CLEAN	30	700	37.5	727	8.5	68.5	50	17.5	42	673	75	56	1000	1600	1100	1500	371

* Maximum working load # Load at breakage.

